

# Performance Specifications

---

Channels: VHF: 2-13 UHF: 14-69

Output Impedance: 75 ohms

Dimensions (with elements): 9<sup>1</sup>/<sub>8</sub>"H\* x 13<sup>1</sup>/<sub>2</sub>"W x 16<sup>1</sup>/<sub>2</sub>"D

\*Height with dipoles fully extended 42"

Amplifier Gain:

VHF: 12 dB typical

UHF: 11 dB typical

## Limited Warranty

---

Audiovox Corporation (Audiovox) warrants this product against defects in materials or workmanship for one (1) year from the date of purchase. During this period, this product will be replaced without charge. This warranty does not cover any damage due to acts of nature, commercial use, accident, misuse, abuse or negligence. This warranty is only valid in the USA. Replacement as provided under this warranty is the exclusive remedy of the consumer.

Audiovox shall not be liable for any incidental or consequential damages for breach of any express or implied warranty on this product, except to the extent that limitations of this sort are prohibited by applicable law.

THERE ARE NO IMPLIED WARRANTIES OF MERCHANTABILITY OR FITNESS FOR A PARTICULAR PURCHASE EXCEPT TO THE EXTENT THAT IMPLIED WARRANTIES OR EITHER SORT ARE REQUIRED BY APPLICABLE LAW, AND IN SUCH CASE, EACH WARRANTY IS LIMITED IN DURATION TO THE ONE YEAR.



For Customer Service  
Visit Our Website At  
[www.audiovox.com](http://www.audiovox.com)

Product Information, Photos,  
FAQ's, Owner's Manuals

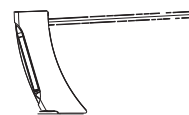
**For customer service and  
technical information::1.800.290.6650**

TERK and the TERK logo are registered trademarks of AUDIOVOX Corp.

144P004A

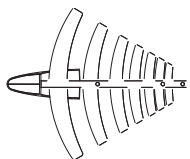
# HDTV<sub>a</sub>

OWNER'S MANUAL



HDTV<sub>a</sub> Antenna Pro  
Amplified Indoor Television Antenna

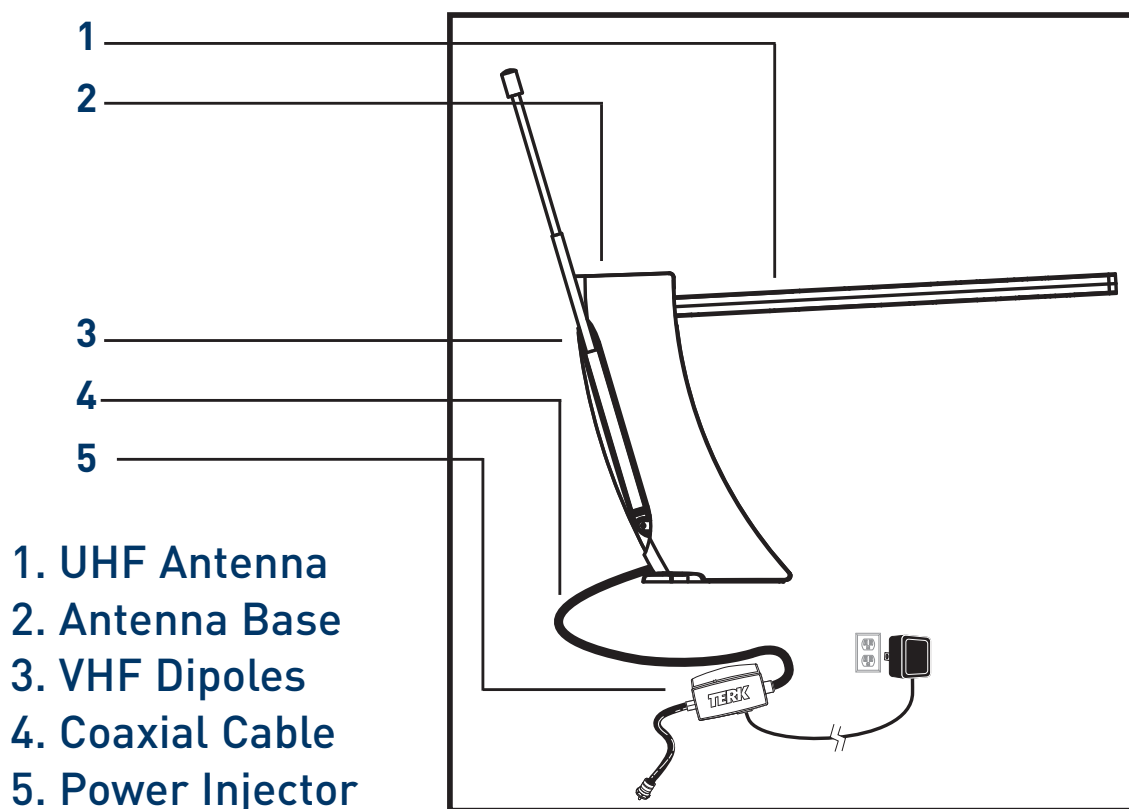
**TERK**<sup>®</sup>  
by AUDIOVOX



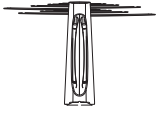
# About Your TERK HDTV<sub>a</sub> Antenna Pro

HDTV<sub>a</sub>

Thank you for choosing the TERK HDTV<sub>a</sub>. TERK antennas are designed to deliver sharp, clear, high definition signal reception. At TERK, our engineering department is dedicated to designing antennas that enhance both the latest technology and the aesthetics of any viewing environment. The HDTV<sub>a</sub> installs in minutes, is easy to use and simple to adjust. Before using your antenna, please remove all parts from the box and read the owner's manual carefully.



1



# Assembling and Installing Your TERK HDTV<sub>a</sub> Antenna Pro

HDTV<sub>a</sub>

Assembly:

1. Insert the UHF receiving elements into the antenna base until the curved line on the UHF element is completely inside the housing and you have a snug fit. See Fig. 1.

Note: The receiving elements may either be inserted vertically or horizontally depending on which way gives you a stronger signal. See Fig. 2,3.

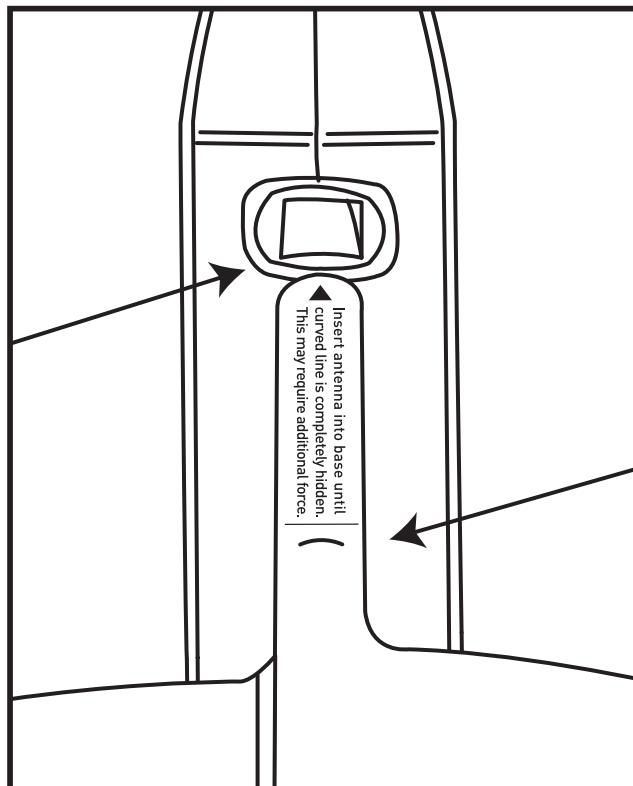


Fig. 1

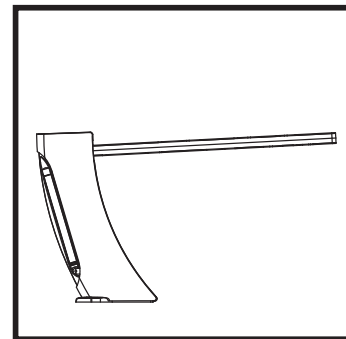


Fig. 2

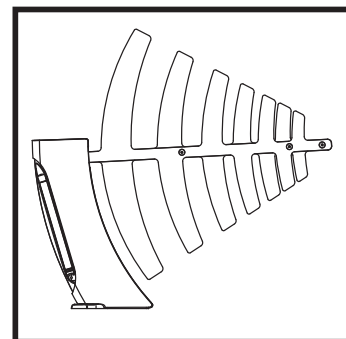


Fig. 3

2



## Installation (continued)

# HDTV<sub>a</sub>

### Connecting Your HDTV<sub>a</sub>

1. Connect the cable from the HDTV<sub>a</sub> antenna to the Power Injector terminal labeled TO ANTENNA.
2. Connect the TO TV lead on the Power Injector to the ANT/AIR IN or VHF/UHF on your TV or set-top box.
3. Plug the Power Adapter from the Power Injector into a standard AC outlet.
4. Switch the Power Injector "ON" for amplification. See Fig. 4.

Note: The Power Injector MUST always be plugged into an AC outlet, even if it is turned to the OFF position.

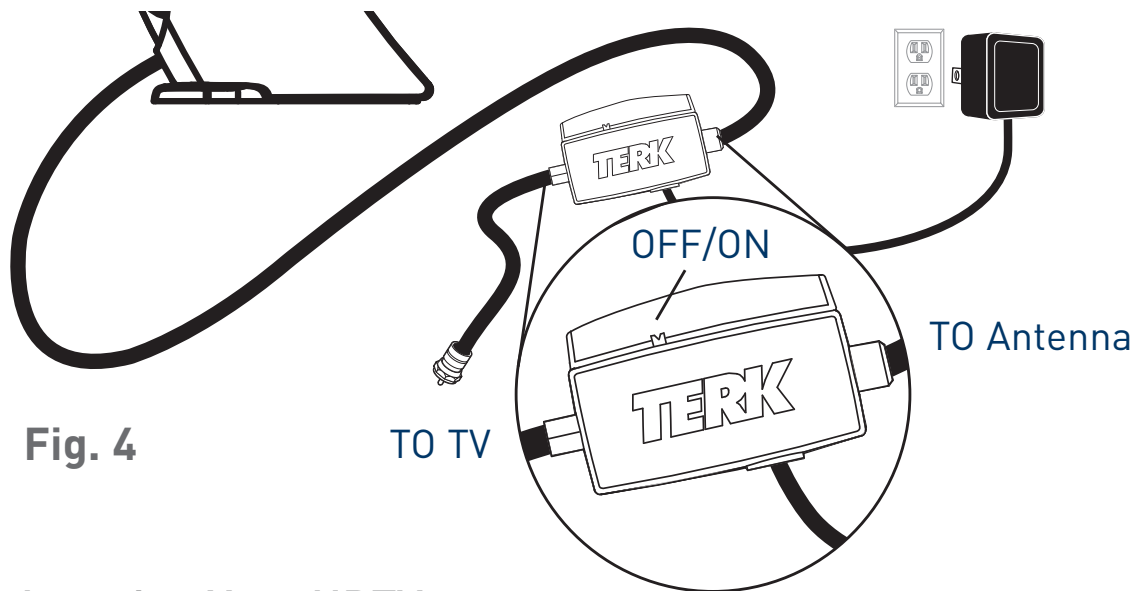


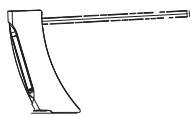
Fig. 4

### Locating Your HDTV<sub>a</sub>

Your HDTV<sub>a</sub> is a precision instrument and should be placed in a location that is best for receiving TV signals.

Your HDTV<sub>a</sub> can be placed on top of any standard TV for ease of adjustment.

# 3



# Operating Your TERK HDTV<sub>a</sub> Antenna Pro

HDTV<sub>a</sub>

1. Rotate the antenna base so that the small end of the UHF element faces the broadcast tower to seek the best quality picture.

You can use the following Web tool to find where the broadcast towers are located:

Use the web to find where the broadcast towers are located:

1. Go to [www.terk.com](http://www.terk.com) and click the "Antenna Locator."
2. Enter your home's address and then "Submit."
3. Click "View Street Level Map" to see which direction you should point your antenna towards. See Fig. 5.

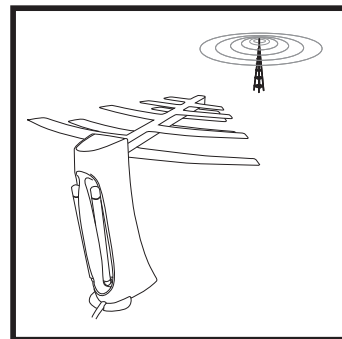


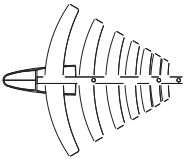
Fig. 5

2. Once you have positioned the UHF elements to receive the best UHF picture channels 14-69, then extend the two dipoles.

For best results on channels 2 through 6, extend the dipoles to their full length and position them horizontally.

For channels 7 through 13, shorten the dipole elements and place at a "V" angle as required.

4



## Operating Your HDTV<sub>a</sub> (continued)

HDTV<sub>a</sub>

### Please Note:

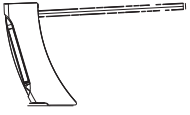
1. Do not place your HDTV<sub>a</sub> near large metal objects or appliances that could create interference.
2. Do not lift your HDTV<sub>a</sub> by its receiving elements or place objects on them.
3. Do not force the dipoles past their normal rotation positions.
4. Late model televisions have on-screen menu controls for viewing VHF/UHF “Off-Air” or cable broadcasts. Please ensure that this menu control is at the proper “Off-Air” position.

### Trouble Shooting:

#### No picture, or the tuner is displaying “no signal.”

1. Make sure that the HDTV<sub>a</sub> is connected to the correct “antenna in” input on the set-top box or TV.
2. Ensure that the UHF antenna is pushed in all the way into the base.
3. Make sure antenna element is pointed at broadcast tower (See page 4 for directions on how to use the web to locate the broadcast tower location. Rotate the antenna base up to 360° until you receive the best signal possible).
4. For houses with aluminum siding/insulation or stucco, place the antenna near a window to minimize interference.

5



## Frequently Asked Questions

# HDTV<sub>a</sub>

- Q. What do I need to get HDTV?
- A. A High Definition television with built-in or set-top HD receiver
- Q. Why do I need an antenna?
- A. This antenna will get you local high definition broadcast channels providing you live within 45 miles of the broadcast tower and there are no obstacles between you and the broadcast tower that could interfere with reception (see note).
- Q. Can I use this antenna in a basement?
- A. No, Broadcast signals cannot penetrate into basements due to their lower elevation.
- Q. How can I get channels above channel 13?
- A. Tuners have both cable and antenna modes. Access the proper on screen TV menu and switch from Cable/CATV mode to ANT/AIR mode to receive these channels.

### Please Note:

Other variables, which are not related to antenna performance, can effect your reception. These include distance from the source transmitting the desired station, and man-made and natural conditions. Example: Obstacles such as buildings between the transmitting source and your antenna.