

Performance Specifications

Channels:

VHF: 2-13

UHF: 14-69

Operating Bandwidth: 54 MHz to 806 MHz

Output Impedance: 75 ohms

Dimensions (with elements): 4³/₄"H x 25"W x 12"D

Amplifier Gain: VHF: 12 dB min

UHF: 6 dB min

Limited Warranty

Audiovox Corporation (Audiovox) warrants this product against defects in materials or workmanship for one (1) year from the date of purchase. During this period, this product will be replaced without charge. This warranty does not cover any damage due to acts of nature, commercial use, accident, misuse, abuse or negligence. This warranty is only valid in the USA. Replacement as provided under this warranty is the exclusive remedy of the consumer.

Audiovox shall not be liable for any incidental or consequential damages for breach of any express or implied warranty on this product, except to the extent that limitations of this sort are prohibited by applicable law.

THERE ARE NO IMPLIED WARRANTIES OF MERCHANTABILITY OR FITNESS FOR A PARTICULAR PURCHASE EXCEPT TO THE EXTENT THAT IMPLIED WARRANTIES OR EITHER SORT ARE REQUIRED BY APPLICABLE LAW, AND IN SUCH CASE, EACH WARRANTY IS LIMITED IN DURATION TO THE ONE YEAR.



For Customer Service
Visit Our Website At
www.audiovox.com

Product Information, Photos,
FAQ's, Owner's Manuals

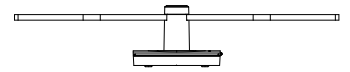
**For customer service and
technical information:: 1.800.290.6650**

TERK and the TERK logo are registered trademarks of AUDIOVOX Corp.

58P008A

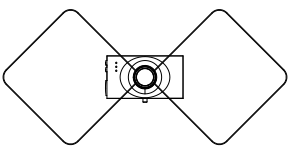
TV5

OWNER'S MANUAL



TV5
Indoor Amplified Television Antenna

TERK[®]
by AUDIOVOX



About Your TERK TV5

TV5

Thank you for choosing the TERK TV5. TERK antennas are designed to help deliver sharp, clear video reception. Our engineering department is dedicated to designing antennas that enhance both the latest technology and the aesthetics of any viewing environment. The TV5 installs in minutes, is easy to use and simple to adjust. Before using your antenna, please remove all parts from the box and read the owner's manual carefully.

Amplified Indoor Antenna:

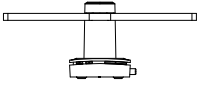
The TV5 features a fully adjustable, low-noise amplifier, that is designed to optimize signal strength for any location. TERK's patented amplifier bypass allows stronger local stations to bypass the amplifier entirely, preventing overmodulation and ensuring successful reception of the maximum number of available channels.

Built-In Video Selector Switch:

The TV5 offers the added convenience of a built-in video selector switch, creating a one cable solution for a video game, DVD player, VCR or other video component. With just a push of a button, you can now switch between TV and another video source without having to disconnect and reconnect any wires.

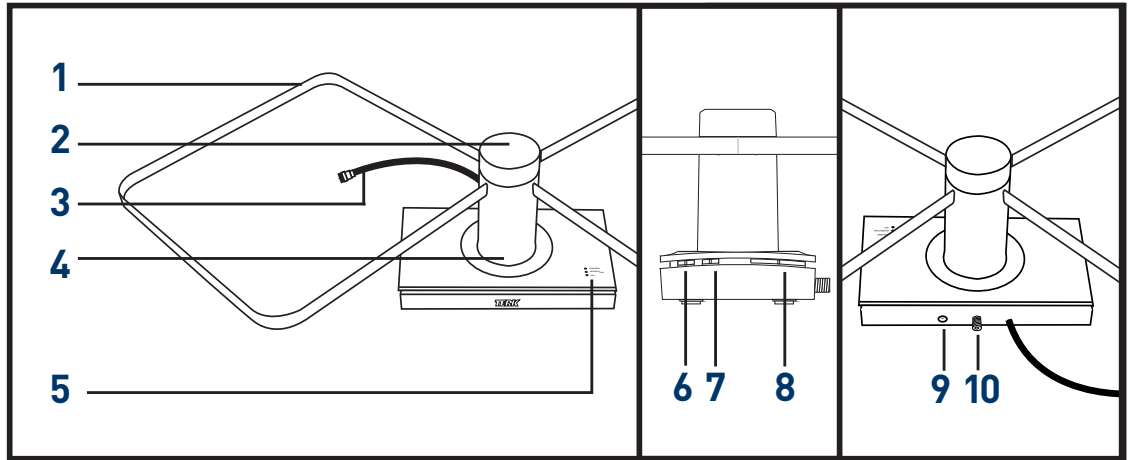
NOTE: Some video sources may require additional equipment due to incompatible outputs. One of TERK's Modulators will allow these components (DVDs, video games, etc.) that have RCA outputs, to be connected to your TV5.

1



Assembly And Installing Your TV5

TV5



- 1. Receiving Elements
- 2. Center Cap
- 3. Coaxial Cable
- 4. Center Control Arm
- 5. Antenna/Video Power Indicators

- 6. Amplifier On/Off Switch
- 7. Video Selector Switch
- 8. Amplifier Adjust
- 9. DC Power Input
- 10. Video Input

Assembly:

Assembly of your TV5 is easy. Simply insert the receiving elements into the center control arm and hand-screw the center cap, making sure you have a snug fit.

See Fig 1.

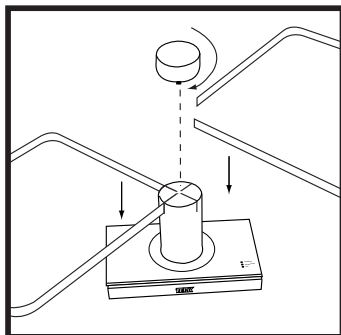


Fig. 1

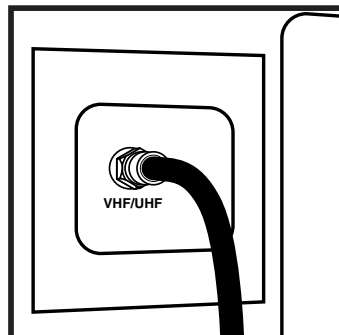


Fig. 2

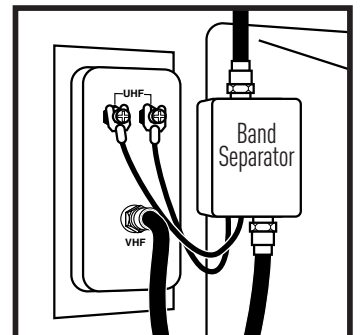
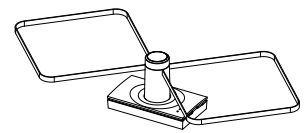


Fig. 3

2



Installation (continued)

TV5

Connecting your TV5

There are two ways to connect your TV5. This will depend on your model of television.

For Televisions with One 75 Ohm Input for VHF and UHF:

1. Connect the coaxial cable from your TV5 to the “F” connector input marked VHF/UHF on your TV. See Fig 2.

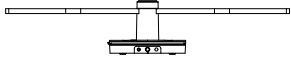
For Televisions with Separate 75 Ohm VHF and UHF Inputs:

1. Attach the band separator (included) to the coaxial cable attached to the back of your TV5.
2. Screw in the VHF connector from the band separator to the VHF input on your TV or VCR.
3. Attach the 300 ohm twin wire from the band separator to the two screws marked UHF. See Fig 3.

Powering your TV5

Attach the AC adapter (included) to the DC input on the rear of your TV5. Plug the other end of the adaptor into any 12 volt AC outlet.

3



Operating Your TERK TV5 Low-Profile Indoor Amplified Antenna

TV5

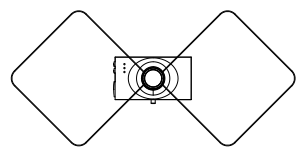
For VHF and UHF:

1. Switch video selector switch to “Antenna”.
2. Tune your TV to the desired station.
3. Holding the top of the center control arm, simply rotate the antenna to seek the best quality picture.
4. Adjust the “amplification” slider for the best picture and sound

For Video Games and Other Video Components:

1. Attach the coaxial cable from your satellite, cable, or video game adapter to the video input on your TV5. Ensure a tight fit to avoid interference.
2. Switch the video selector switch to “Video” for operation.
3. To connect a DVD player, VCR or video game system to a television that is not equipped with A/V jacks, you will need to obtain one of TERK’s RF modulators.

4



Operating Your TV5 (continued)

TV5

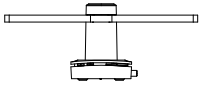
Please Note:

1. Do not force the center control arm past its normal rotation positions.
2. Do not place your TV5 near large metal objects or appliances that would create interference.
2. Do not lift your TV5 by its receiving elements or place objects on them.
4. Late model televisions have on-screen menu controls for viewing VHF/UHF “Off-Air” or cable broadcasts. Please ensure that this menu control is at the proper “Off-Air” position.

Locating Your TV5

Your TV5 is a precision instrument and should be placed in a location that is best for receiving TV signals. Your TV5 can be placed on top of any standard TV for ease of adjustment.

5



Frequently Asked Questions

TV5

- Q. I have a cable ready TV. Why am I not getting any channels above 13?
- A. The tuners inside of cable ready TVs have two modes. One mode is for cable and the other mode is for antenna. When the TV is in cable mode, and you are using an antenna, you will not be able to receive any channels above 13. To fix this, simply access the menu of your TV and switch the TV from Cable/CATV mode to ANT/AIR mode.
- Q. I have my TV in a metal cabinet. Will the antenna work?
- A. Any large metal objects will prevent the antenna signal from reaching the antenna. You must place the antenna outside of or above the metal cabinet.
- Q. My home has aluminum siding/insulation. Where should I place my antenna?
- A. Place the antenna near a window to minimize interference and improve your reception.
- Q. Can I use my antenna in a basement?
- A. TV signals cannot penetrate into basement locations due to their lower elevation.

Please Note:

Other variables, which are not related to antenna performance, can effect your reception. These include distance from the source transmitting the desired station, and man-made and natural conditions.

Example: Obstacles such as buildings between the transmitting source and your antenna.

6